

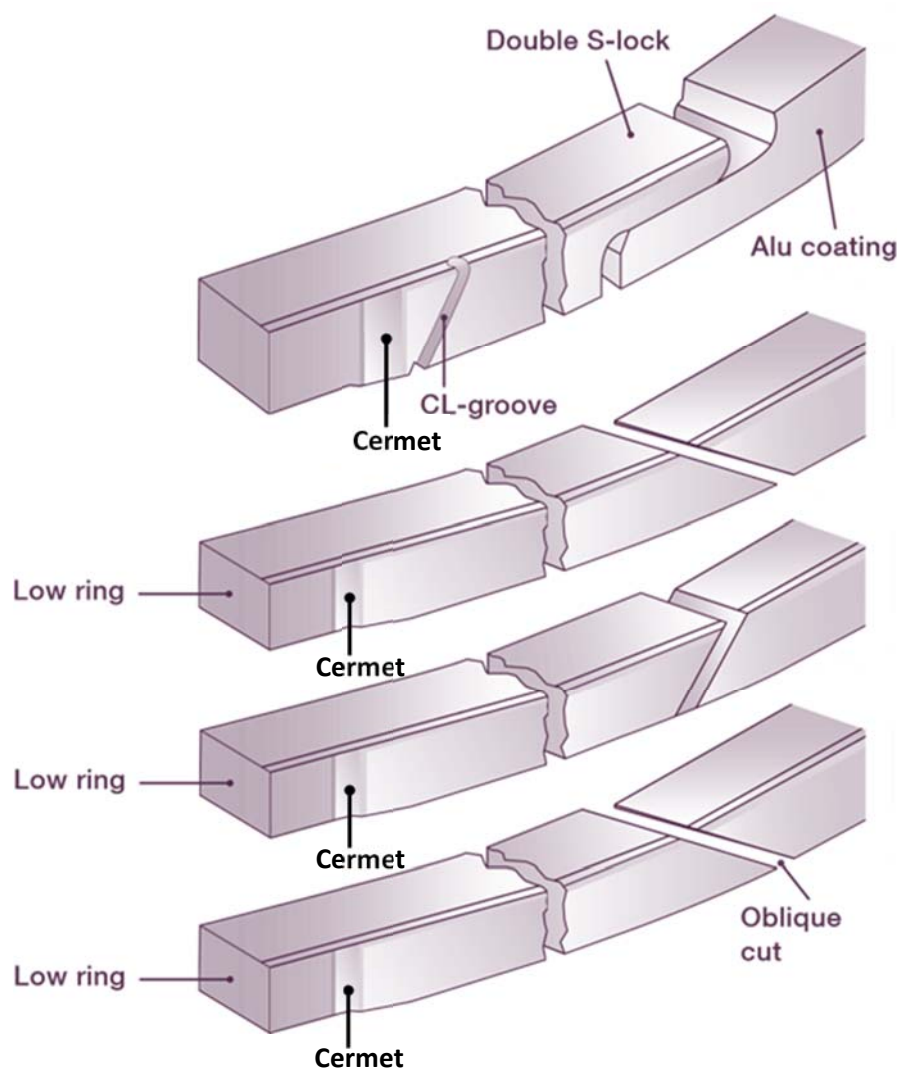
## cermet type piston rings

In view of 2020 Sulphur Cap, the latest Service letters of Engine Makers, recommend the use of CERMET Type Piston Rings which are capable to operate continuously with the new 0,5% Sulphur fuels, minimizing the wear of cylinder liners.

The new type of 0,5% fuels have a very low inherent lubricity, compared with standard RMG380 lubricity properties. The operation with 0,1% fuels which have even lower lubricity properties, is restricted for shorter sailing periods. Thus, the use of special type piston rings for continuous operation is recommended by the makers.

RTFM Ltd in a continuous effort to serve its customers, is proudly announcing that can offer CERMET type piston rings of well known European Manufacturers at very competitive prices.

Time is of the essence. Contact us now to make a customized solution to your fleet requirements.



## contact us

RTFM Ltd

### Repairs Trading Fabrication Manufacturing

10, Stadiou Str. , Oroklini , Larnaca 7040 , Cyprus  
t.: +357 24 030457 , m.: +357 97 763819 , +30 697 5620188  
e-mail : sales@rtfmltd.com , url: www.rtfmltd.com